



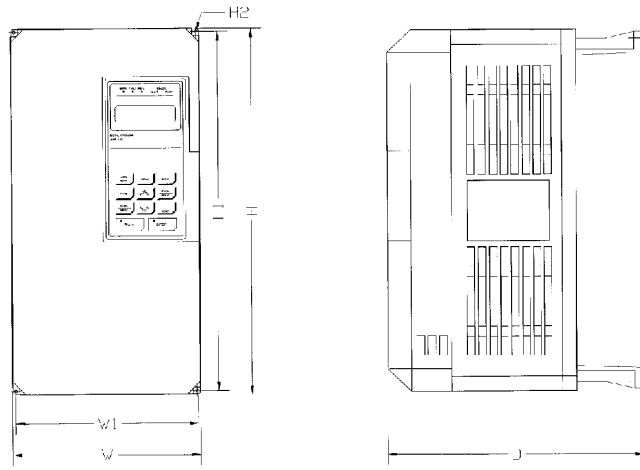
MAGNETEK
UNCOMMON POWER

Electromotive Systems

IMPULSE ^{G+ Series 2}
^{VG+ Series 2}

Adjustable Frequency Crane Controls
Technical Data





230V Dimensions and Drive Ratings

Voltage Rating	Model Number	*Max Full Load Amps	Rated HP (Appx.)	Overall Dimensions in inches (mm)			Mounting Dimensions in inches (mm)			Wt. Lbs/ (kg)
				W	H	D	W1	H1	d	
230 Volt	2006-AFG+	6	1	5.51	11.02	6.30	4.95	10.47	0.28	6.5
	2006-FVG+			(140)	(280)	(160)	(126)	(266)	(7)	(3)
	2008-AFG+	8	2	5.51	11.02	6.30	4.95	10.47	0.28	6.5
	2008-FVG+			(140)	(280)	(160)	(126)	(266)	(7)	(3)
	2011-AFG+	11	3	5.51	11.02	7.09	4.95	10.47	0.28	10
	2011-FVG+			(140)	(280)	(180)	(126)	(266)	(7)	(4.5)
	2017-AFG+	17.5	5	5.51	11.02	7.09	4.95	10.47	0.28	10
	2017-FVG+			(140)	(280)	(180)	(126)	(266)	(7)	(4.5)
	2025-AFG+	25	7.5	7.87	11.81	8.07	7.32	11.22	0.31	12
	2025-FVG+			(200)	(300)	(205)	(186)	(285)	(8)	(5.5)
	2033-AFG+	33	10	7.87	11.81	8.07	7.32	11.22	0.31	13
	2033-FVG+			(200)	(300)	(205)	(186)	(285)	(8)	(6)
	2054-AFG+	49	15	9.84	14.96	8.86	9.29	14.37	0.30	24
	2054-FVG+			(250)	(380)	(225)	(236)	(365)	(7.5)	(10.8)
	2068-AFG+	64	20	9.84	14.96	8.86	9.29	14.37	0.30	24
	2068-FVG+			(250)	(380)	(225)	(236)	(365)	(7.5)	(10.8)
	2080-AFG+	80	25	12.80	17.72	11.22	10.83	17.13	0.30	62
	2080-FVG+			(325)	(450)	(285)	(275)	(435)	(7.5)	(28)
2130-AFG+	130	40	16.73	26.57	13.78	12.60	25.59	0.49	134	
2130-FVG+			(425)	(675)	(350)	(320)	(650)	(12.5)	(61)	
2160-AFG+	160	50	16.73	26.57	13.78	12.60	25.59	0.49	137	
2160-FVG+			(425)	(675)	(350)	(320)	(650)	(12.5)	(62)	
2224-AFG+	224	75	18.70	31.50	13.78	14.57	30.51	0.49	176	
2224-FVG+			(475)	(800)	(350)	(370)	(775)	(12.5)	(80)	
2300-AFG+	300	100	22.64	36.42	15.75	17.52	35.24	0.59	298	
2300-FVG+			(575)	(925)	(400)	(445)	(895)	(15)	(135)	

*Note: Applications such as high duty cycles (CMAA Class E or F) in conjunction with high ambient temperatures or other unique environmental conditions can sometimes impact drive ratings. Please consult factory.

- AFG+ Denotes IMPULSE•G+ Series 2
- FVG+ Denotes IMPULSE•VG+ Series 2

Due to ongoing product improvements, data is subject to change without notice.

460V Dimensions and Drive Ratings

Voltage Rating	Model Number	*Max Full Load Amps	Rated HP (Appx.)	Overall Dimensions in inches (mm)			Mounting Dimensions in inches (mm)			Wt. Lbs/ (kg)
				W	H	D	W1	H1	d	
460 Volt	4001-AFG+	1.8	.5	5.51	11.02	6.30	4.95	10.47	0.28	6.5
	4001-FVG+			(140)	(280)	(160)	(126)	(266)	(7)	(3)
	4003-AFG+	3.4	1	5.51	11.02	6.30	4.95	10.47	0.28	6.5
	4003-FVG+			(140)	(280)	(160)	(126)	(266)	(7)	(3)
	4005-AFG+	4.8	2	5.51	11.02	7.09	4.95	10.47	0.28	8.8
	4005-FVG+			(140)	(280)	(180)	(126)	(266)	(7)	(4)
	4008-AFG+	8	5	5.51	11.02	7.09	4.95	10.47	0.28	10
	4008-FVG+			(140)	(280)	(180)	(126)	(266)	(7)	(4.5)
	4011-AFG+	11	7.5	5.51	11.02	7.09	4.95	10.47	0.28	10
	4011-FVG+			(140)	(280)	(180)	(126)	(266)	(7)	(4.5)
	4014-AFG+	14	10	7.87	11.81	8.07	7.32	11.22	0.31	13
	4014-FVG+			(200)	(300)	(205)	(186)	(285)	(8)	(6)
	4021-AFG+	21	15	7.87	11.81	8.07	7.32	11.22	0.31	13
	4021-FVG+			(200)	(300)	(205)	(186)	(285)	(8)	(6)
	4028-AFG+	27	20	9.84	14.96	8.86	9.29	14.37	0.30	24
	4028-FVG+			(250)	(380)	(225)	(236)	(365)	(7.5)	(11)
	4034-AFG+	34	25	9.84	14.96	8.86	9.29	14.37	0.30	24
	4034-FVG+			(250)	(380)	(225)	(236)	(365)	(7.5)	(11)
	4041-AFG+	41	30	12.80	17.72	11.22	10.83	17.13	0.30	60
	4041-FVG+			(325)	(450)	(285)	(275)	(435)	(7.5)	(27)
	4052-AFG+	52	40	12.80	17.72	11.22	10.83	17.13	0.30	60
	4052-FVG+			(325)	(450)	(285)	(275)	(435)	(7.5)	(27)
	4065-AFG+	65	50	12.80	24.61	11.22	10.83	24.02	0.30	97
	4065-FVG+			(325)	(625)	(285)	(275)	(610)	(7.5)	(44)
	4080-AFG+	80	60	12.80	24.61	11.22	10.83	24.02	0.30	97
	4080-FVG+			(325)	(625)	(285)	(275)	(610)	(7.5)	(44)
	4096-AFG+	96	75	12.80	24.61	11.22	10.83	24.02	0.30	97
	4096-FVG+			(325)	(625)	(285)	(275)	(610)	(7.5)	(44)
4128-AFG+	128	100	17.91	32.28	13.78	13.78	31.30	0.49	174	
4128-FVG+			(455)	(820)	(350)	(350)	(795)	(12.5)	(79)	
4165-AFG+	165	125	17.91	32.28	13.78	13.78	31.30	0.49	176	
4165-FVG+			(455)	(820)	(350)	(350)	(795)	(12.5)	(80)	
4224-AFG+	224	150	22.64	36.42	14.76	17.52	35.24	0.59	298	
4224-FVG+			(575)	(925)	(375)	(445)	(895)	(15)	(135)	
4302-AFG+	302	200	22.64	36.42	15.75	17.52	35.24	0.59	320	
4302-FVG+			(575)	(925)	(400)	(445)	(895)	(15)	(145)	
4450-AFG+	450	350	37.40	57.09	17.13	29.53	55.12	0.98	794	
4450-FVG+			(950)	(1450)	(435)	(750)	(1400)	(25)	(360)	
4605-AFG+	605	500	37.80	62.99	17.91	29.53	61.02	0.98	926	
4605-FVG+			(960)	(1600)	(455)	(750)	(25)	(25)	(420)	

***Note:** Applications such as high duty cycles (CMAA Class E or F) in conjunction with high ambient temperatures or other unique environmental conditions can sometimes impact drive ratings. Please consult factory.

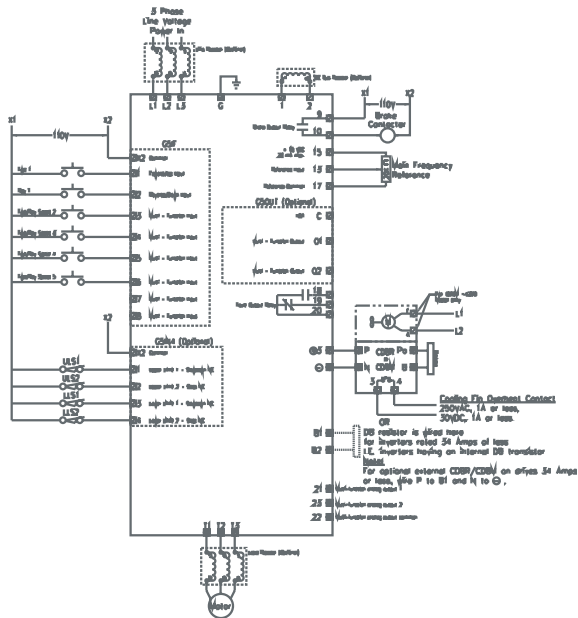
- AFG+ Denotes IMPULSE•G+ Series 2
- FVG+ Denotes IMPULSE•VG+ Series 2

Due to ongoing product improvements, data is subject to change without notice.

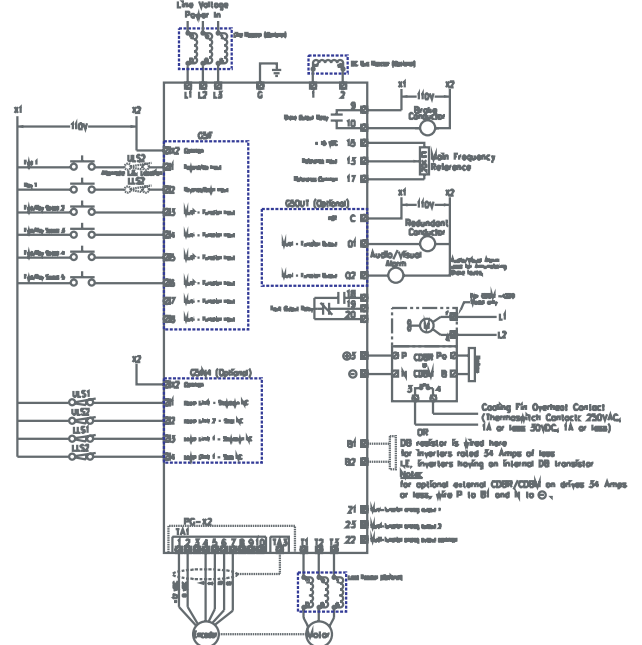
575V Dimensions and Drive Ratings

Voltage Rating	Model Number	*Max Full Load Amps	Rated HP (Appx.)	Overall Dimensions in inches (mm)			Mounting Dimensions in inches (mm)			Wt. Lbs/ (kg)
				W	H	D	W1	H1	d	
575 Volt	5003-AFG+ 5003-FVG+	3.5	2	5.51 (140)	11.02 (280)	7.09 (180)	4.96 (126)	10.47 (266)	0.28 (7)	8.8 (4)
	5004-AFG+ 5004-FVG+	4.1	3	5.51 (140)	11.02 (280)	7.09 (180)	4.96 (126)	10.47 (266)	0.28 (7)	8.8 (4)
	5006-AFG+ 5006-FVG+	6.3	5	7.87 (200)	11.81 (300)	8.07 (205)	7.32 (186)	11.22 (285)	0.31 (8)	13 (6)
	5009-AFG+ 5009-FVG+	9.8	7.5	7.87 (200)	11.81 (300)	8.07 (205)	7.32 (186)	11.22 (285)	0.31 (8)	14 (6.5)
	5012-AFG+ 5012-FVG+	12.5	10	7.87 (200)	11.81 (300)	8.07 (205)	7.32 (186)	11.22 (285)	0.31 (8)	14 (6.5)
	5017-AFG+ 5017-FVG+	17	15	9.84 (250)	14.96 (380)	8.86 (225)	9.29 (236)	14.37 (365)	0.29 (7.5)	28 (13)
	5022-AFG+ 5022-FVG+	22	20	9.84 (250)	14.96 (380)	8.86 (225)	9.29 (236)	14.37 (365)	0.29 (7.5)	28 (13)
	5027-AFG+ 5027-FVG+	27	25	15.75 (400)	29.53 (750)	11.22 (285)	11.81 (300)	28.74 (730)	0.39 (10)	97 (44)
	5032-AFG+ 5032-FVG+	32	30	15.75 (400)	29.53 (750)	11.22 (285)	11.81 (300)	28.74 (730)	0.39 (10)	97 (44)
	5041-AFG+ 5041-FVG+	41	40	22.64 (575)	33.46 (850)	11.81 (300)	18.70 (475)	32.48 (825)	0.49 (12.5)	156 (72)
	5052-AFG+ 5052-FVG+	52	50	22.64 (575)	33.46 (850)	11.81 (300)	18.70 (475)	32.48 (825)	0.49 (12.5)	156 (72)
	5062-AFG+ 5062-FVG+	62	60	22.64 (575)	33.46 (850)	11.81 (300)	18.70 (475)	32.48 (825)	0.49 (12.5)	156 (72)
	5077-AFG+ 5077-FVG+	77	75	22.64 (575)	41.34 (1050)	12.80 (325)	18.70 (475)	40.35 (1025)	0.49 (12.5)	195 (90)
	5099-AFG+ 5099-FVG+	99	100	22.64 (575)	41.97 (1066)	12.80 (325)	18.70 (475)	40.35 (1025)	0.49 (12.5)	195 (90)
	5130-AFG+ 5130-FVG+	130	125	22.80 (579)	57.68 (1465)	12.99 (330)	18.70 (475)	48.23 (1225)	0.49 (12.5)	271 (125)
	5172-AFG+ 5172-FVG+	172	150	22.80 (579)	77.43 (1966.5)	13.98 (355)	18.70 (475)	61.81 (1570)	0.59 (15)	331 (153)
	5200-AFG+ 5200-FVG+	200	200	22.80 (579)	77.43 (1966.5)	13.98 (355)	18.70 (475)	61.81 (1570)	0.59 (15)	342 (158)

IMPULSE•G+ Series 2 Wiring Diagram



IMPULSE•VG+ Series 2 Wiring Diagram



Due to ongoing product improvements, data is subject to change without notice.

PO Box 13615
Milwaukee, WI 53213
Phone: 800-288-8178
Fax: 800-298-3503

N49 W13650 Campbell Drive
Menomonee Falls, WI 53051

www.electromotive.com
Brochure No. G+/VG+S2 TECH-04
Copyright© 2004
Printed U.S.A.